



- TASTE THE DIFFERENCE -

MODEL GEN-5099

This pressurized, 2-flavor twist soft serve machine produces the highest quality, most consistent and profitable product you can serve. Ideal for operators that want to serve a high-quality product but don't require huge volume. This machine is perfect for co-branding concepts as well as college cafeterias, buffets and adding additional flavors to any shops.

The Electro Freeze Advantage

- **Virtual Quality Management System™** monitors Temperature and Consistency to provide superior taste and quality.
- **Patented Mix Transfer System*** simplest and most reliable pressurized system available.
- **Flexible Mix Holding System Pumps** directly from bags or from mix containers
- **Innovative Solutions** providing the Best product quality in the industry.
- **Meets ADA Specifications** for self service applications
- **Multi-function LED** display with manager smart tools.
- **The Finest Frozen Product**, consistently the best frozen product available. Smooth, creamy and profitable.
- **Self Closing Spigots** prevents the mess and eliminates waste
- **Exclusive Auger Design** Superior low temperature refrigeration system provides the best in class production and product quality.
- **Energy Conservation Mode** reduces energy cost and holds product safely during non-business hours
- **Superior Low Temperature Refrigeration System** provides the best in class production and product quality
- **Scroll Compressor Technology** provides increased capacity, reliability and efficiency.

PRESSURIZED SOFT SERVE FREEZER GENESIS SERIES™

2 Flavor Twist featuring

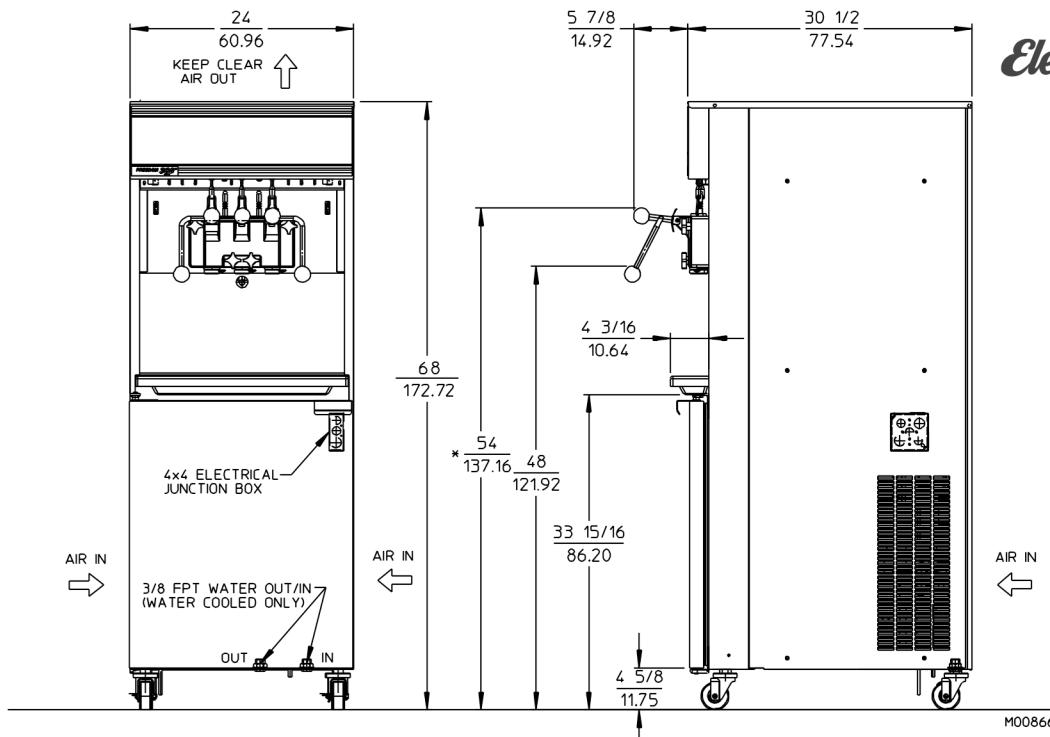
VQM™

Virtual Quality Management System™



Let VQM help manage your frozen dessert business more effectively.





MODEL GEN-5099 SPECIFICATIONS

Due to continual product improvements all specifications are subject to change without notice.

Weights	lbs.	kgs.	
Net	653	296	
Crated	709	321	
	cu.ft.	cu.m.	
Volume	58.42	1.65	
Dimensions	in.	cm	
Width	24	60.96	
Depth	30-1/2	77.54	
Height	68	172.72	
Electrical	Maximum Fuse Size	Minimum Ampacity (Qty)	NEMA Plug Type
208-230/60/1 Air	45	38.0	2P, 2W
208-230/60/1 Water	45	36.5	2P, 2W

Electrical characteristics other than above available on request from factory or local distributor. Check nameplate for exact electrical data.

Bidding Spec

Electrical: Volt _____ Hz _____ Ph _____
 Cooling: _____ Neutral _____ Yes _____ No
 Options: _____

Electrical

A dedicated electrical connection is required. Manufactured to be permanently connected. See electrical chart for the proper requirement. Consult your local electrical codes for cord and receptacle specifications.

Beater Motor

Two, 2hp.

Refrigeration Systems

One, 12,000 Btuh. R404a.
 Separate Cabinet Refrigeration, One, 1000 Btuh, R134a. Btuh may vary depending on compressor used.

Air Cooled

For proper air circulation, unit requires 6" (15.2 cm) air space at rear panel or at both side panels and 24" (61 cm) air space above unit.

Arrange installation & repair through established distributors.

Mix Hopper Capacity: two - 22 quarts (20.8 liters) each

Freezing Cylinder Capacity: two - 3.7 quarts (3.5 liters) each

Certified and/or listed by:

*UL listed and listed by Underwriters Laboratories under Canadian National Standard C22.2 No. 120-13

Electro Freeze div. of H.C. Duke & Son, LLC

2116-8th Avenue, East Moline, Illinois 61244 USA
 Phone (309) 755-4553 • (800) 755-4545
 FAX (309) 755-9858
 E-mail: sales@electrofreeze.com • www.electrofreeze.com

Authorized Distributor



1001 Lower Landing Rd
 Blackwood, NJ 08012
 P: 800-853-8026 * F: 856-227-0295
 E: robert@sentryequipment.net
 www.sentryequipment.net