



- TASTE THE DIFFERENCE -

MODEL 44RMTFB

This pressurized, 9 flavor soft serve machine delivers valuable menu flexibility in a small footprint. By fully incorporating the flavor in every bite of soft serve, this freezer produces the highest quality, most consistent and profitable product you can serve. Simply press a button to select flavors! The easy-to-operate features include: easy syrup adjustments, one button flavor selection and no complicated attachments. This machine is perfect for high volume establishments wanting to serve superior-quality, smooth and creamy ice cream, frozen yogurt or gelato. Great for co-branding concepts as well as college cafeterias, buffets and adding additional flavors to any shops.

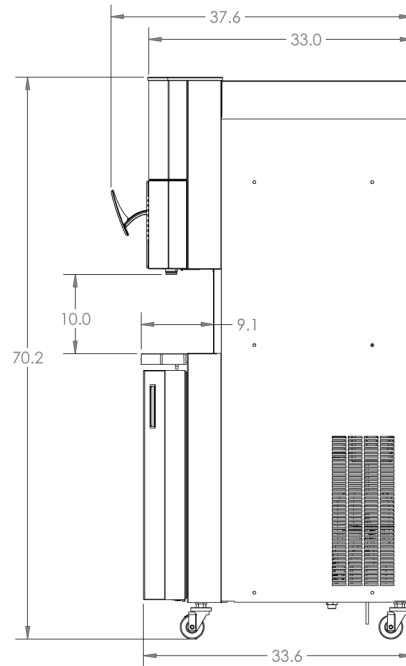
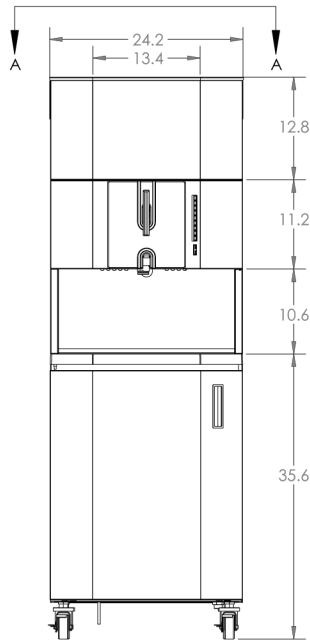
The Electro Freeze Advantage

- **9 Flavors To Choose From** contained in 32oz. syrup containers located in the cabinet. Dispense the base product alone or press a button to infuse the product with one of 8 additional flavors.
- **The Finest Frozen Product**, consistently the best frozen product available. Smooth, creamy and profitable
- **Product Flexibility** serves a variety of frozen products, custard, ice cream sorbets, water ice or yogurt
- **Flexible Mix Holding System** pumps directly from bags or from mix containers
- **Patented Mix Transfer System*** simplest and most reliable pressurized system available
- **Self Closing Spigots** prevents the mess and eliminates waste
- **Exclusive Auger Design** gently blends, reducing agitation, maintaining product quality and consistency.
- **Energy Conservation Mode** reduces energy cost and holds product safely during non-business hours
- **Superior Low Temperature Refrigeration System** provides the best in class production and product quality
- **Experience Tells** Electro Freeze has been manufacturing quality frozen treat machines since 1929.

PRESSURIZED SOFT SERVE FREEZER 9 Flavor Fuzionate



44RMTFB Fuzionate™ Freezer



Model 44RMTFB Specifications

Due to continual product improvements all specifications are subject to change without notice.

Weights	lbs.	kgs.	
Net	652	296	
Crated	704	320	
	cu.ft.	cu.m.	
Volume	58.42	1.65	
Dimensions	in.	cm	
Width	24.2	61.5	
Depth	33	83.8	
Height	70.2	178.3	
Electrical	Maximum Fuse Size	Minimum Circuit Ampacity	Poles (P) Wires (W)
208-230/60/1 Air	30	27	2P, 2W
208-230/60/1 Water	30	25	2P, 2W

Electrical

One dedicated electrical connection is required. Manufactured to be permanently connected. See electrical chart for the proper requirement. Consult your local electrical codes for cord and receptacle specifications.

Beater Motor

One, 2 hp.

Refrigeration Systems

One, 6,700 Btuh. R404a.
Separate Cabinet Refrigeration, One, 1200 Btuh, R134a.
Btuh may vary depending on compressor used.

Exterior Space Required

Water Cooled - 3" (7.6 cm) air space required on both sides and the rear panel for proper air circulation.

Air Cooled - 6" (15.3 cm) air space required on both sides and the rear panel for proper air circulation.

Potable Water Connection (For rinse line): 3/8" FPT

Freezing Cylinder Capacity: one - 3.7 quart (3.5 liters)

Syrup Capacity: eight - 32oz. (.95 liters) syrup bottles

Electrical characteristics other than above available on request from factory or local distributor. Check nameplate for exact electrical data.

Bidding Spec

Electrical: Volt _____ Hz _____ Ph _____

Cooling: _____ Neutral _____ Yes _____ No

Options: _____

Certified and/or listed by:



*UL listed and listed by Underwriters Laboratories under Canadian National Standard C22.2 No. 120-M91(R2008)



Electro Freeze div. of H.C. Duke & Son, LLC

2116-8th Avenue, East Moline, Illinois 61244 USA
Phone (309) 755-4553 • (800) 755-4545
FAX (309) 755-9858
E-mail: sales@electrofreeze.com • www.electrofreeze.com

Authorized Distributor



1001 Lower Landing Rd
Blackwood, NJ 08012
P: 800-853-8026 * F: 856-227-0295
E: robert@sentryequipment.net
www.sentryequipment.net